

Multiva EVO 60/80/115



Podstawowe dane techniczne/ Basic technical data:

Zasilanie/Power: 230V 50/60Hz
 Zasilacz/Power Supply: wymagany[required]/nie wymaga [not required]
 Typ źródła / Source type :LED CoB/OR-LP111

Dotyczy opraw / applies to frames:

- Multiva EVO 60x1
 4.1841 MULTIVA EVO 60x1 LED 6.5W On-Off
 4.1842 MULTIVA EVO 60x1 LED 6.5W Switch/DALI
 4.1843 MULTIVA EVO 60x1 LED 6.5W PhaseCut
 A=94 [mm] B=94 [mm]
 Multiva EVO 80x1
 4.1835 MULTIVA EVO 80x1 LED 12W On-Off
 4.1836 MULTIVA EVO 80x1 LED 12W Switch/DALI
 4.1837 MULTIVA EVO 80x1 LED 12W PhaseCut
 A=115 [mm] B=115 [mm]
 Multiva EVO 115x1
 4.1821 MULTIVA EVO 115x1 QR111
 4.1822 MULTIVA EVO 115x1 edge.LED 6.5W On-Off
 4.1823 MULTIVA EVO 115x1 edge.LED 6.5W Switch/DALI
 4.1824 MULTIVA EVO 115x1 edge.LED 6.5W PhaseCut
 4.1825 MULTIVA EVO 115x1 edge.LED 12W On-Off
 4.1826 MULTIVA EVO 115x1 edge.LED 12W Switch/DALI
 4.1827 MULTIVA EVO 115x1 edge.LED 12W PhaseCut
 A=148 [mm] B=148 [mm]
 Multiva EVO 60x2
 4.1844 MULTIVA EVO 60x2 LED 6.5W On-Off
 4.1845 MULTIVA EVO 60x2 LED 6.5W Switch/DALI
 4.1846 MULTIVA EVO 60x2 LED 6.5W PhaseCut
 A=94[mm] B=182 [mm]
 Multiva EVO 80x2
 4.1838 MULTIVA EVO 80x2 LED 12W On-Off
 4.1839 MULTIVA EVO 80x2 LED 12W Switch/DALI
 4.1840 MULTIVA EVO 80x2 LED 12W PhaseCut
 A=115[mm] B=224 [mm]
 Multiva EVO 115x2
 4.1828 MULTIVA EVO 115x2 QR111
 4.1829 MULTIVA EVO 115x2 edge.LED 6.5W On-Off
 4.1830 MULTIVA EVO 115x2 edge.LED 6.5W Switch/DALI
 4.1831 MULTIVA EVO 115x2 edge.LED 6.5W PhaseCut
 4.1832 MULTIVA EVO 115x2 edge.LED 12W On-Off
 4.1833 MULTIVA EVO 115x2 edge.LED 12W Switch/DALI
 4.1834 MULTIVA EVO 115x2 edge.LED 12W PhaseCut
 A=148[mm] B=290 [mm]

Głębokość mont./mounting depth: H=100

Multiva EVO 115x1 [1x25W]

- 4.2540
 4.2541
 4.2542
 4.2543
 A=148 [mm] B=148 [mm]

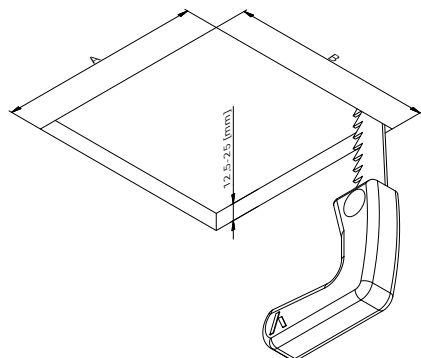
Multiva EVO 115x2 [2x25W]

- 4.2544
 4.2545
 4.2546
 4.2547
 A=148 [mm] B=290 [mm]

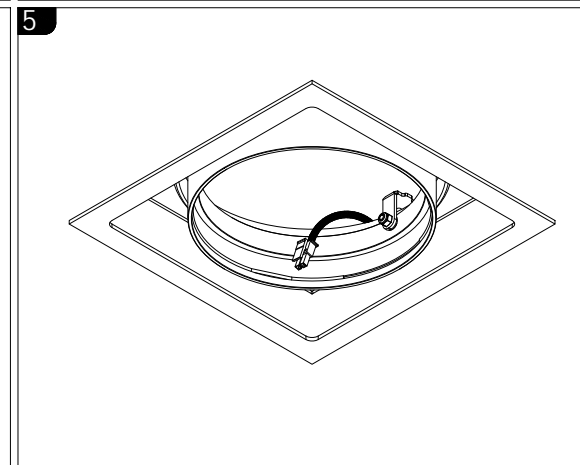
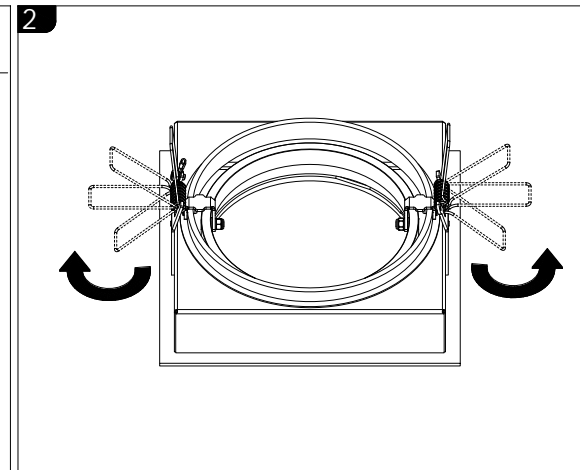
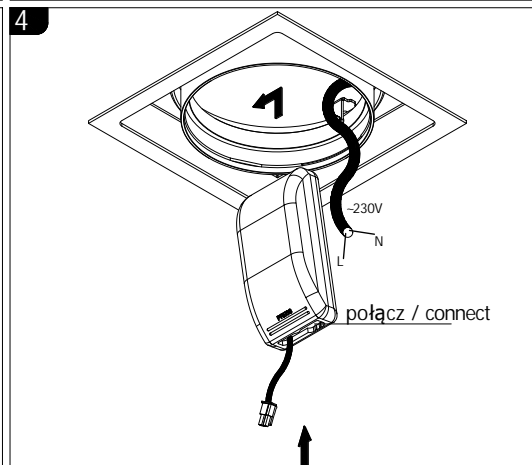
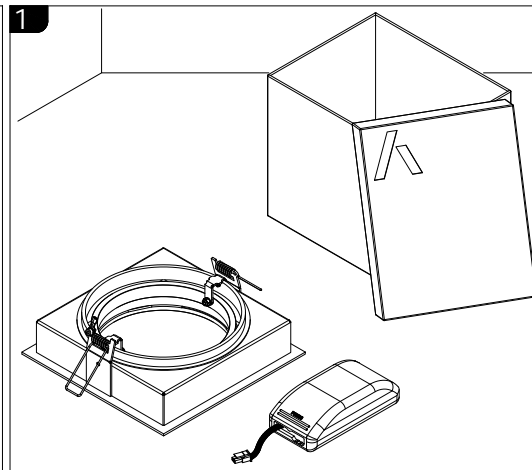
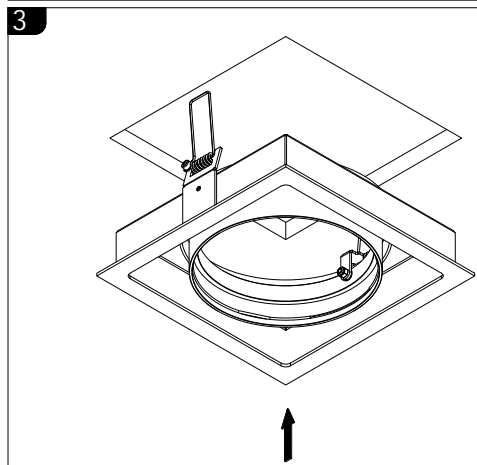


LABRA Sp. z o.o.
 biuro@labra.pl / export@labra.pl
 +48 500 175 552 / www.labra.pl

WYMIARY MONTAŻOWE [mounting dimensions]



Głębokość montażowa : H=80/100[mm]
 [mounting depth : H=80/100[mm]



UWAGA: Nie podłączać oprawy oświetleniowej do zasilacza LED przy włączonym zasilaniu!!! Podłączenie oprawy oświetleniowej do zasilacza przy włączonym zasilaniu grozi uszkodzeniem modułu LED i utratą gwarancji.

NOTE: Do not connect the lighting fixture to the LED driver with the power on !!! Connecting the lighting fitting to the LED driver with the power switched on may damage the LED module and void the warranty.

