

Multiva EVO 60/80/115

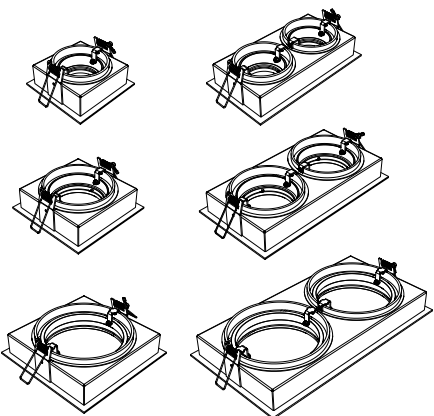


Podstawowe dane techniczne/ Basic technical data:

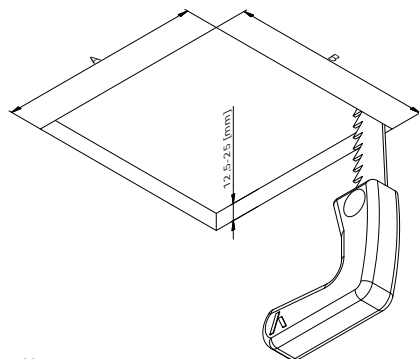
Zasilanie/Power: 230V 50/60Hz
Zasilacz/Power Supply: wymagany[required]/nie wymaga [not required]
Typ źródła / Source type :LED CoB/OR-LP111

Dotyczy opraw / applies to frames:

Multiva EVO 60x1
4.1841 MULTIVA EVO 60x1 LED 6.5W On-Off
4.1842 MULTIVA EVO 60x1 LED 6.5W Switch/DALI
4.1843 MULTIVA EVO 60x1 LED 6.5W PhaseCut
A=94 [mm] B=94 [mm]
Multiva EVO 80x1
4.1835 MULTIVA EVO 80x1 LED 12W On-Off
4.1836 MULTIVA EVO 80x1 LED 12W Switch/DALI
4.1837 MULTIVA EVO 80x1 LED 12W PhaseCut
A=115 [mm] B=115 [mm]
Multiva EVO 115x1
4.1821 MULTIVA EVO 115x1 QR111
4.1822 MULTIVA EVO 115x1 edge.LED 6.5W On-Off
4.1823 MULTIVA EVO 115x1 edge.LED 6.5W Switch/DALI
4.1824 MULTIVA EVO 115x1 edge.LED 6.5W PhaseCut
4.1825 MULTIVA EVO 115x1 edge.LED 12W On-Off
4.1826 MULTIVA EVO 115x1 edge.LED 12W Switch/DALI
4.1827 MULTIVA EVO 115x1 edge.LED 12W PhaseCut
A=148 [mm] B=148 [mm]
Multiva EVO 60x2
4.1844 MULTIVA EVO 60x2 LED 6.5W On-Off
4.1845 MULTIVA EVO 60x2 LED 6.5W Switch/DALI
4.1846 MULTIVA EVO 60x2 LED 6.5W PhaseCut
A=94[mm] B=182 [mm]
Multiva EVO 80x2
4.1838 MULTIVA EVO 80x2 LED 12W On-Off
4.1839 MULTIVA EVO 80x2 LED 12W Switch/DALI
4.1840 MULTIVA EVO 80x2 LED 12W PhaseCut
A=115[mm] B=224 [mm]
Multiva EVO 115x2
4.1828 MULTIVA EVO 115x2 QR111
4.1829 MULTIVA EVO 115x2 edge.LED 6.5W On-Off
4.1830 MULTIVA EVO 115x2 edge.LED 6.5W Switch/DALI
4.1831 MULTIVA EVO 115x2 edge.LED 6.5W PhaseCut
4.1832 MULTIVA EVO 115x2 edge.LED 12W On-Off
4.1833 MULTIVA EVO 115x2 edge.LED 12W Switch/DALI
4.1834 MULTIVA EVO 115x2 edge.LED 12W PhaseCut
A=148[mm] B=290 [mm]



WYMIARY MONTAŻOWE [mounting dimensions]



Głębokość montażowa : H=80 [mm]
[mounting depth : H=80mm]

