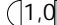





BASIC BOX

IP20  1.0  LED READY  

Podstawowe dane techniczne / Basic technical data: 230V 50/60Hz

Transformator/Zasilacz w zestawie

Transformer/Driver included

edge.LED: 6.5W or/tub 12W CoB LED QR111: Xn QR-LP111 / G53 /n X 50W MAX

Dotyczy opraw / Applies to fixtures:

2.0978 - BASIC X1 BOX edge.LED 6.5W On-Off
2.0979 - BASIC X1 BOX edge.LED 6.5W PhaseCut

2.0981 - BASIC X1 BOX edge.LED 6.5W DALI
2.0982 - BASIC X2 BOX edge.LED 6.5W On-Off
2.0983 - BASIC X2 BOX edge.LED 6.5W PhaseCut

2.0985 - BASIC X2 BOX edge.LED 6.5W DALI
2.0986 - BASIC X3 BOX edge.LED 6.5W On-Off
2.0987 - BASIC X3 BOX edge.LED 6.5W PhaseCut

2.0989 - BASIC X3 BOX edge.LED 6.5W DALI
2.1068 - BASIC X1 BOX edge.LED 12W On-Off

2.1069 - BASIC X1 BOX edge.LED 12W PhaseCut
2.1071 - BASIC X1 BOX edge.LED 12W DALI

2.1072 - BASIC X2 BOX edge.LED 12W On-Off
2.1073 - BASIC X2 BOX edge.LED 12W PhaseCut
2.1075 - BASIC X2 BOX edge.LED 12W DALI

2.1076 - BASIC X3 BOX edge.LED 12W On-Off
2.1077 - BASIC X3 BOX edge.LED 12W PhaseCut
2.1079 - BASIC X3 BOX edge.LED 12W DALI

2.0997 - BASIC X1 BOX QR111

2.0998 - BASIC X2 BOX QR111

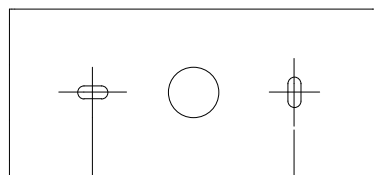
2.0999 - BASIC X3 BOX QR111

LABRA

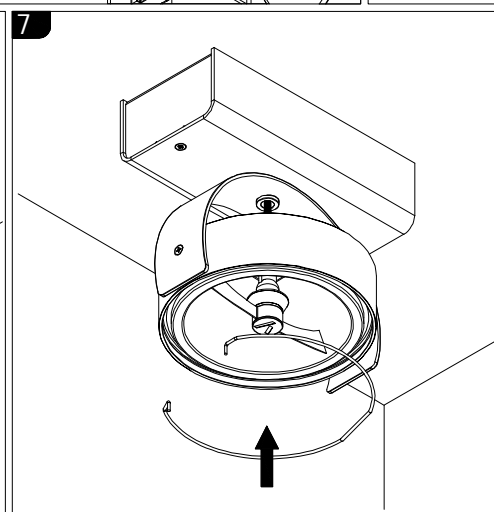
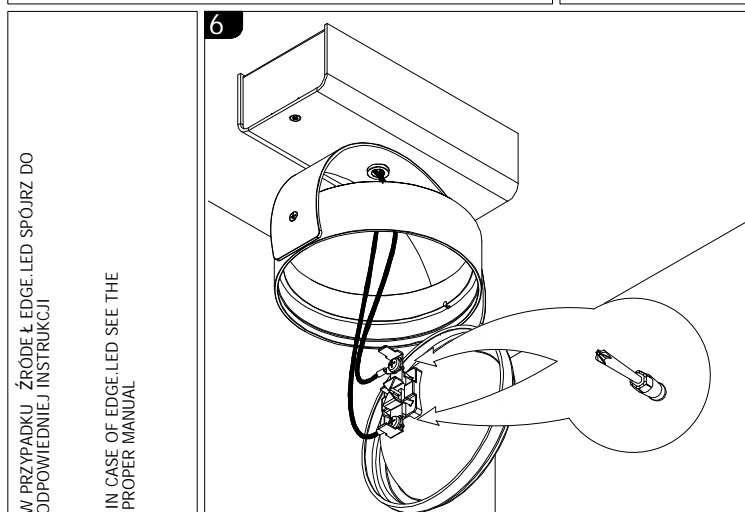
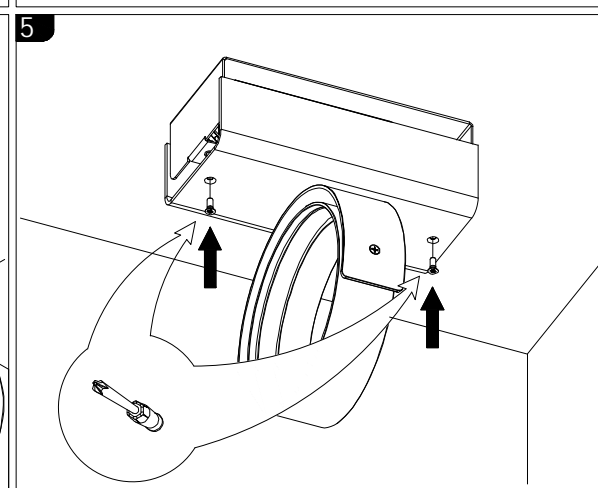
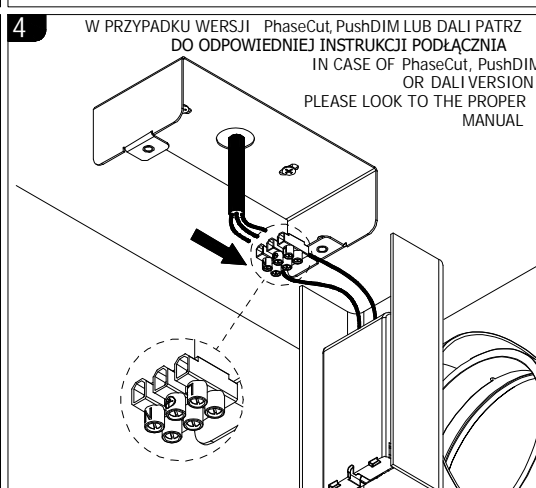
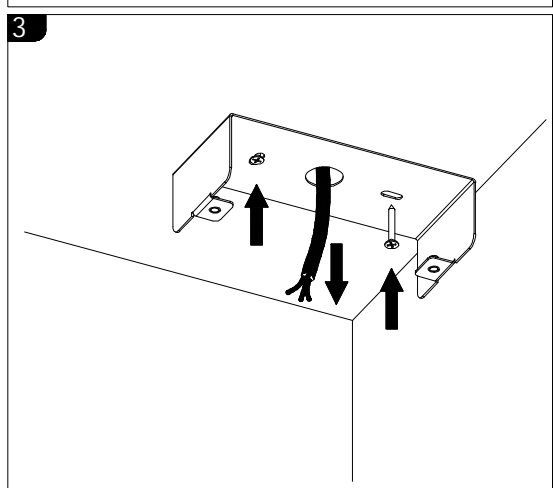
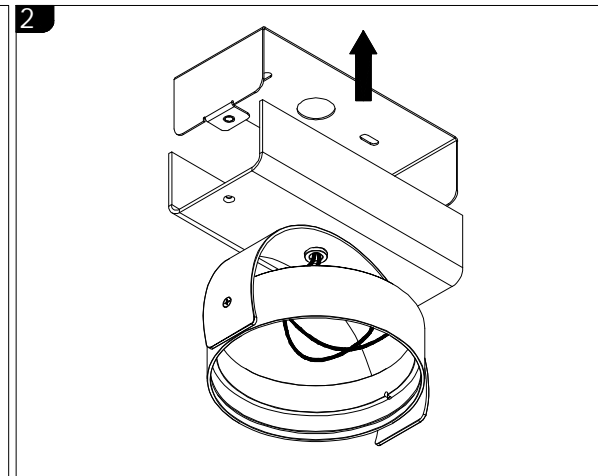
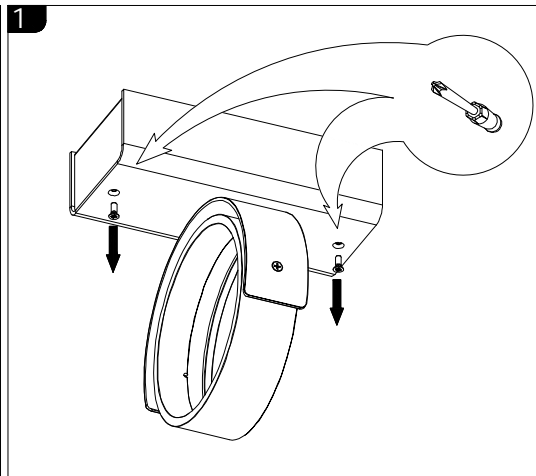
LABRA Sp.z o.o.

biuro@labra.pl / export@labra.pl
+48 500 175 552 / www.labra.pl

WYMIARY MONTAŻOWE / MOUNTING DIMENSIONS



80 (Basic x1)
180 (Basic x2)
270 (Basic x3)



UWAGA: Nie podłączać oprawy oświetleniowej do zasilacza LED przy włączonym zasilaniu!! Podłączenie oprawy oświetleniowej do zasilacza przy włączonym zasilaniu grozi uszkodzeniem modułu LED i utratą gwarancji.

NOTE: Do not connect the lighting fixture to the LED driver with the power on !!! Connecting the lighting fitting to the LED driver with the power switched on may damage the LED module and void the warranty.

W PRZYPADKU ŹRÓDEŁ EDGE LED SPÓJRZ DO ODPOWIEDNIEJ INSTRUKCJI

IN CASE OF EDGE LED SEE THE PROPER MANUAL