

Yon 46 ZW / ZW Grid



Podstawowe dane techniczne / Basic technical data:

Zasilanie / Feed	AC 230V 50/60Hz
Zasilacz / Power supply	Tak
Źródło światła / Light source	LED
CRI / Color rendering index	
Moc / Power	15W - 70W

Dotyczy opraw / Applies to frames:

YON 46.575 ZW LP 15W 1700lm On-Off
 YON 46.575 ZW LP 15W 1700lm Switch_DALI
 YON 46.575 ZW HP 25W 3400lm On-Off
 YON 46.575 ZW HP 25W 3400lm Switch_DALI
 YON 46.855 ZW LP 21W 2550lm On-Off
 YON 46.855 ZW LP 21W 2550lm Switch_DALI
 YON 46.855 ZW HP 37W 5100lm On-Off
 YON 46.855 ZW HP 37W 5100lm Switch_DALI
 YON 46.1135 ZW LP 25W 3400lm On-Off
 YON 46.1135 ZW LP 25W 3400lm Switch_DALI
 YON 46.1135 ZW HP 49W 6800lm On-Off
 YON 46.1135 ZW HP 49W 6800lm Switch_DALI
 YON 46.1415 ZW LP 31W 4200lm On-Off
 YON 46.1415 ZW LP 31W 4200lm Switch_DALI
 YON 46.1415 ZW HP 61W 8500lm On-Off
 YON 46.1415 ZW HP 61W 8500lm Switch_DALI

YON 46.575 ZW Grid HP 28W 2800lm On-Off
 YON 46.575 ZW Grid HP 28W 2800lm Switch_DALI
 YON 46.855 ZW Grid HP 42W 4200lm On-Off
 YON 46.855 ZW Grid HP 42W 4200lm Switch_DALI
 YON 46.1135 ZW Grid HP 56W 5600lm On-Off
 YON 46.1135 ZW Grid HP 56W 5600lm Switch_DALI
 YON 46.1415 ZW Grid HP 70W 7000lm On-Off
 YON 46.1415 ZW Grid HP 70W 7000lm Switch_DALI

UWAGA: Nie podłączać oprawy oświetleniowej do zasilacza LED przy włączonym zasilaniu!!! Podłączenie oprawy oświetleniowej do zasilacza przy włączonym zasilaniu grozi uszkodzeniem modułu LED i utratą gwarancji.

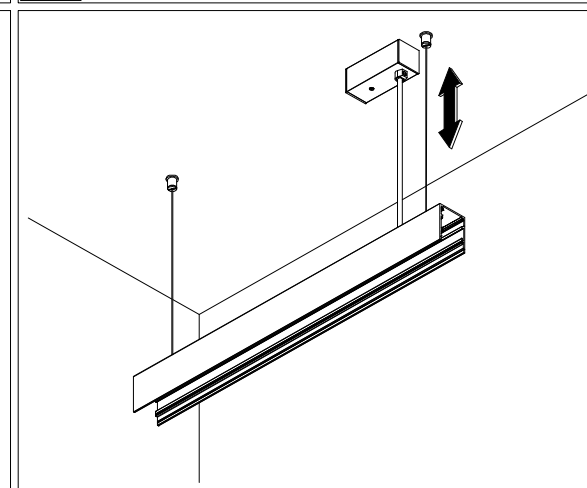
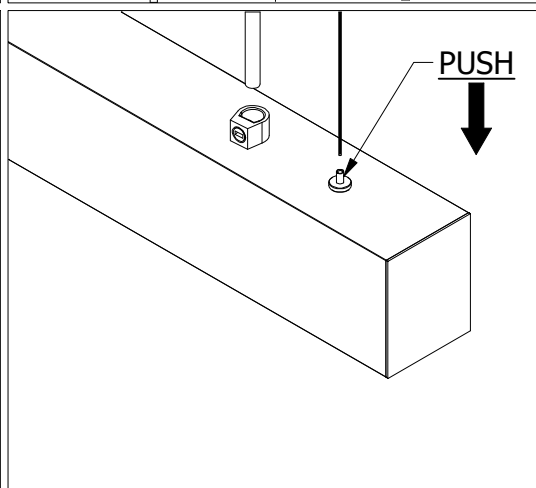
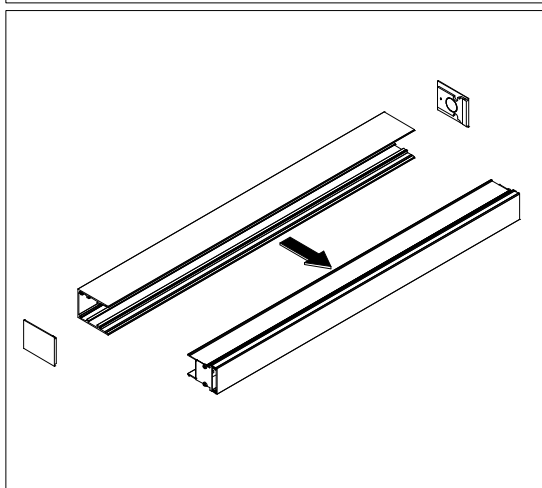
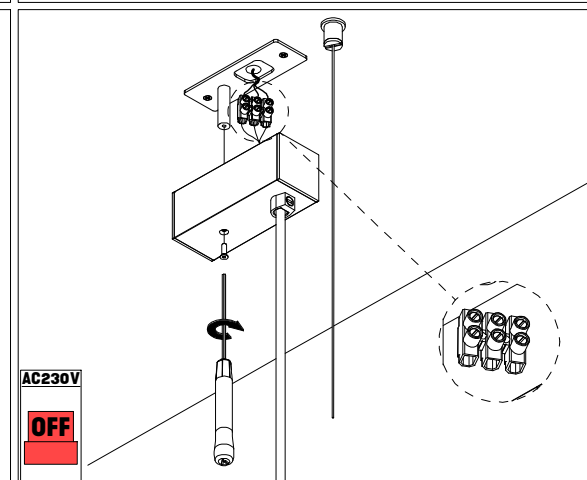
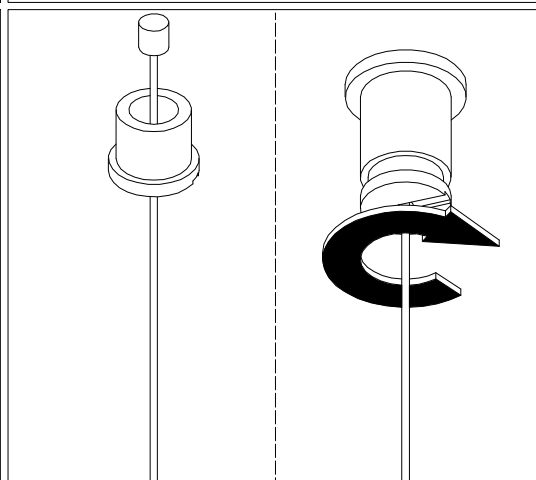
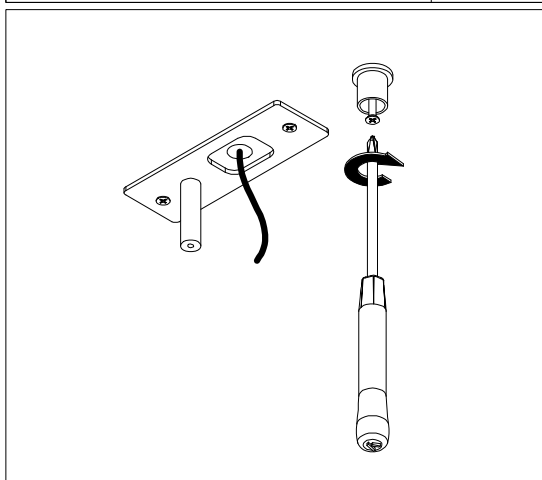
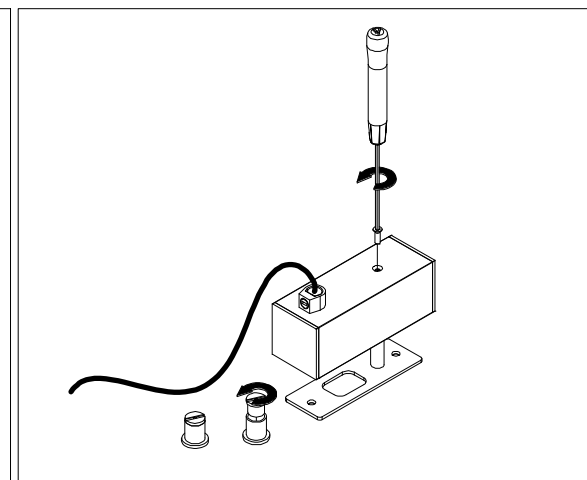
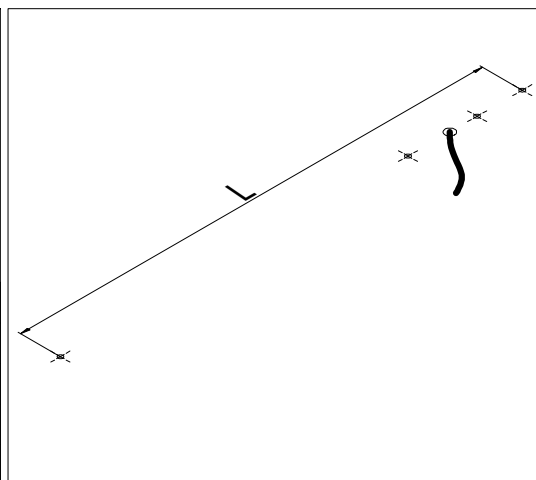
NOTE: Do not connect the lighting fixture to the LED driver with the power on !!! Connecting the lighting fitting to the LED driver with the power switched on may damage the LED module and void the warranty.

LABRA

LABRA Sp. z o.o.

biuro@labra.pl / export@labra.pl
 +48 500 175 552 / www.labra.pl

Wersja	L [mm]
Yon 46.575 ZW / Grid	475
Yon 46.855 ZW / Grid	755
Yon 46.1135 ZW / Grid	1035
Yon 46.1415 ZW / Grid	1315



Yon 46 ZW / ZW Grid

